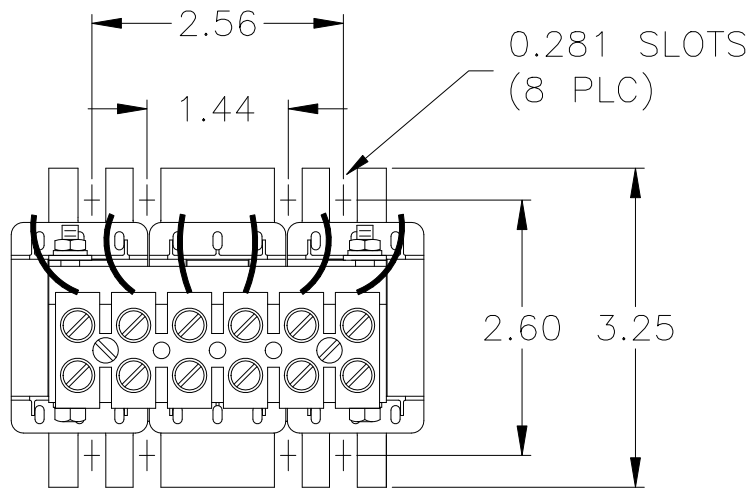


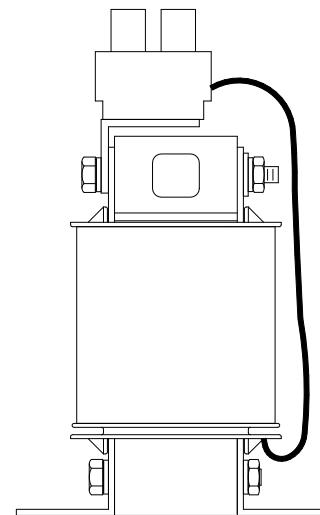
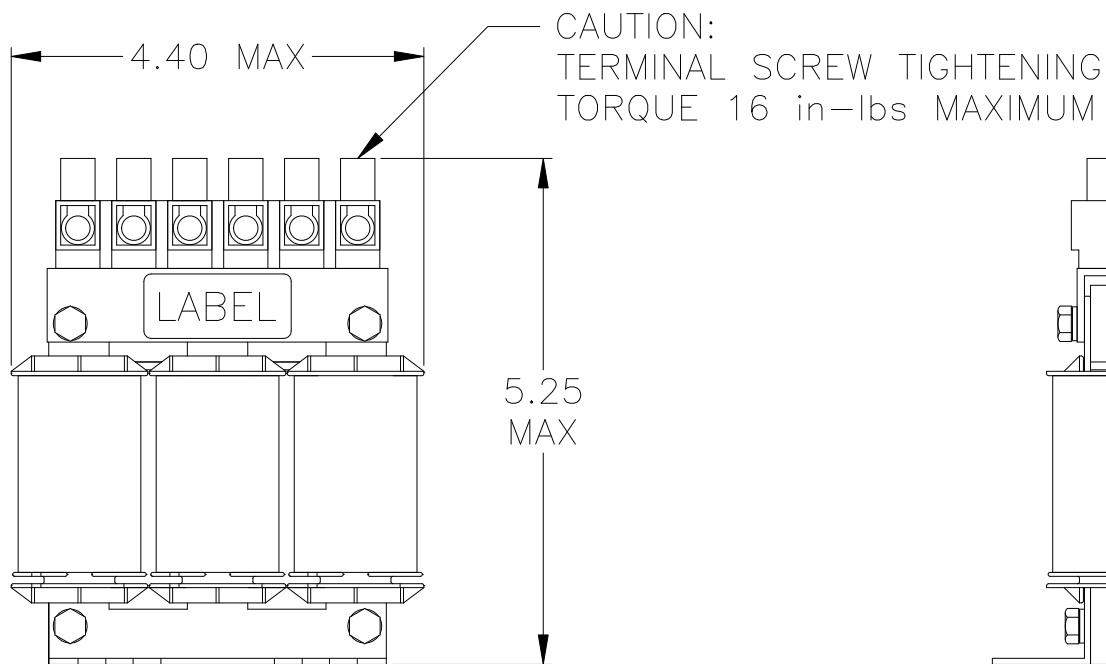
FILE: P:\DEPTS\ENGR\PROD DOCS\RLW\RLW-002801

INDUCTANCE	WEIGHT (LBS)	LOSS (WATTS)
0.39mH	5.1	48.2

NO.	CHANGE DESCRIPTION	BY	DATE	C'K'D
-----	--------------------	----	------	-------



WIRE RANGE: 14-6AWG



UNLESS OTHERWISE SPECIFIED, DIMENSIONS ARE IN INCHES [mm] AND TOLERANCES ARE:

DECI. FRAC.
 ANGLES DRILLED HOLES

PART NAME: 3 PHASE REACTOR

DESCRIPTION: OUTLINE DIMENSIONS

FINISH:

MTE CORPORATION
 MENOMONEE FALLS, WISCONSIN

CD RLW-002801

REV.
02

SCALE	NTS	DATE	04/02/09	C'K'D
REF.		DR. BY	RKT	APP'D